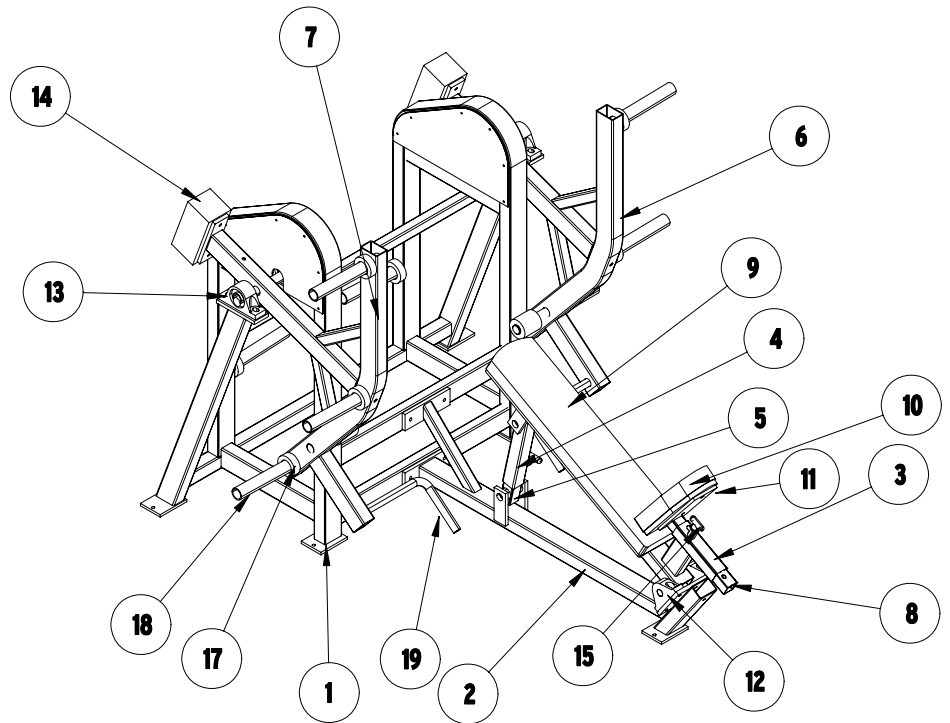
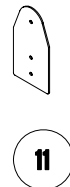
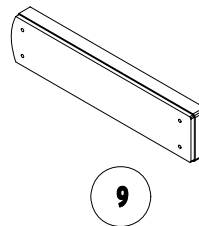
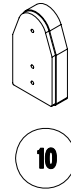
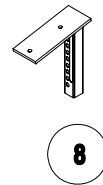
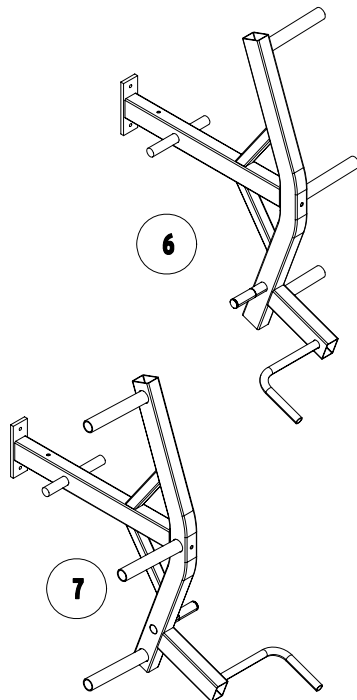
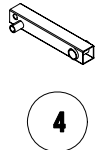
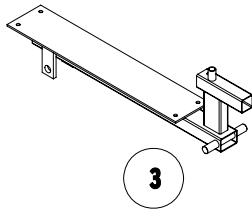
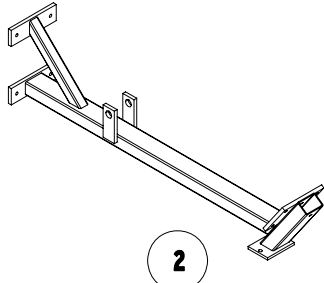
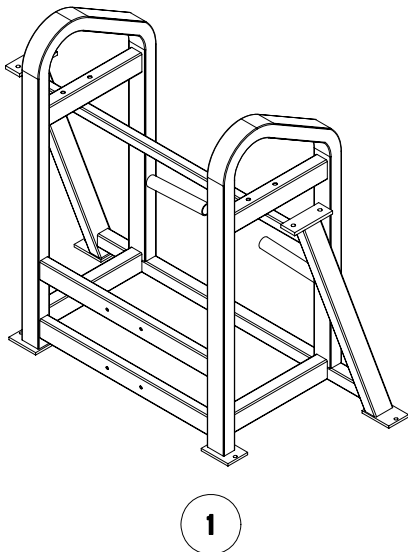


P-122 PLATE LOADED EXTREME ROW



ITEM	PART DESCRIPTION	ITEM	PART DESCRIPTION	ITEM	PART DESCRIPTION	QT
1	WELD,FRM,POWER P-103/22	11	PLAS,COVER,UPH,6.25x11.75 BLK			
2	WELD,FRM,EXERCISE P-122	12	BEAR,PILLOW,NYLON,1 ID BLK	2		
3	WELD,FRM,CHEST PAD P-122	13	BEAR,PILLOW,1.25 ID	4		
4	WELD,TELE,CHEST PAD P-122	14	CWEIGHT,TAP/VINYL DIP,38# BLK			
5	ASSY,CHRM,ADJ,PAD P-122,S-108	15	ASSY,POPPER PIN,0.5x1.5	2		
6	WELD,ARM,EXERCISE(R) P-122	16	RUB,STOP,2.75 ODx3 BLK	2		
7	WELD,ARM,EXERCISE(L) P-122	17	PLAS,STEM DISK,3 ODx1 BLK	8		
8	WELD,ADJ,SEAT P/S120,P122,S102	18	PLAS,STEM TUBE,1.9 ODx9.38 BLK			
9	UPH,PAD,CHEST 7.25x32.25	19	RUB,GRIP,1.05 IDx16 BLK	2		
10	UPH,PAD,SEAT/CHEST 7.25x12.75					